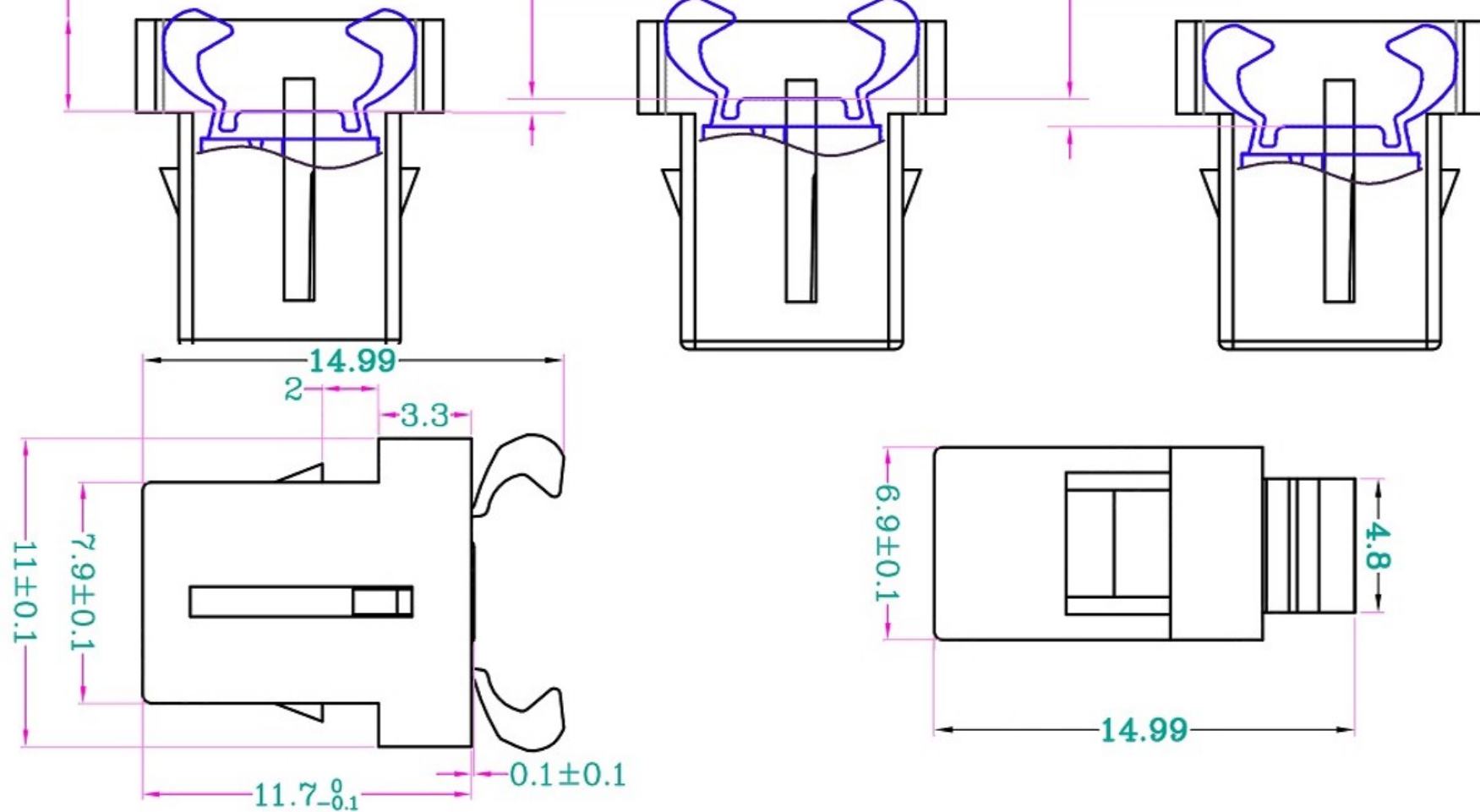


下压约3.6mm达到锁定行程

回弹约1.0mm呈锁定状态

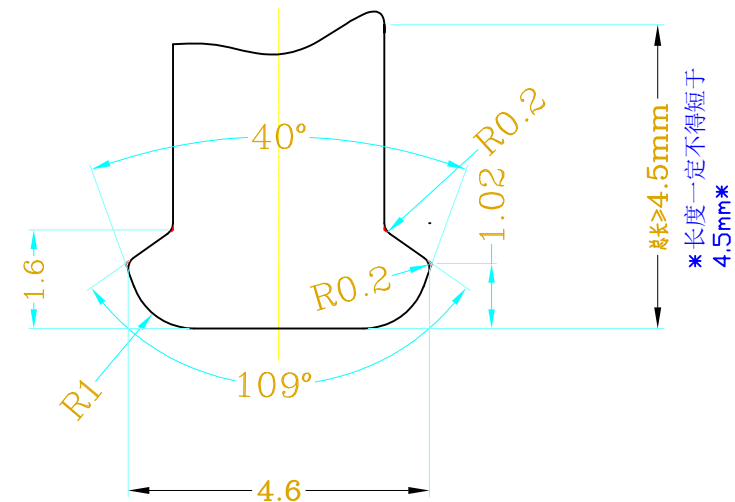
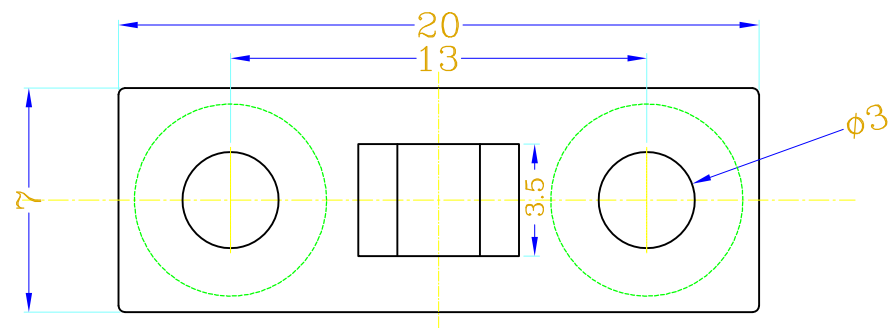
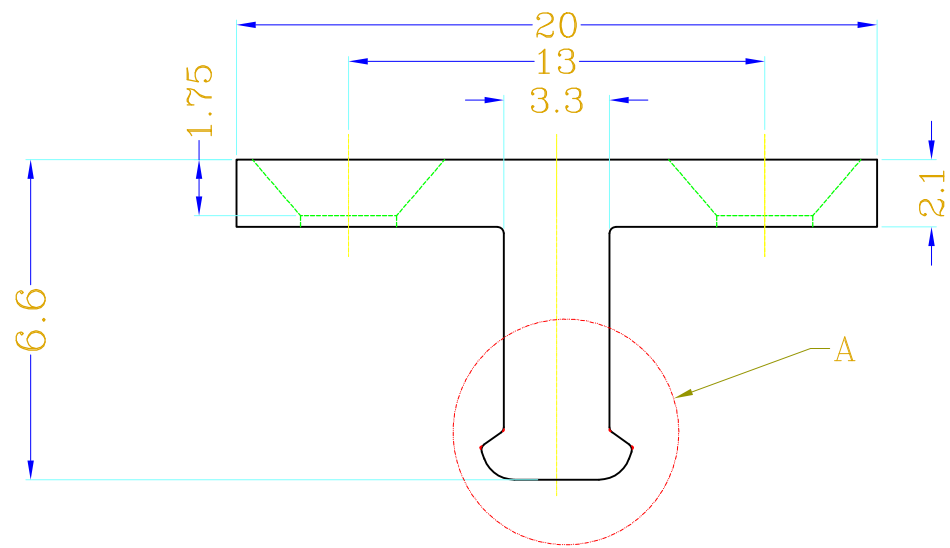
继续下压约1.0mm达到开锁行程



TITLE	DOOR LATCH SWITCH	DRAWN		TOLERANCE OTHERWISE UNLESS SPECIFIED	8				
PART NO.		CHECKED		UP TO 5	±0.2	6			
DRAW NO.	DL1	APPROVED		ABOVE 5 ~ 30	±0.3	5			
SCALE: 2:1	UNIT: mm	DATE:		ABOVE 30 ~ 50	±0.4	4			
				ABOVE 50	±0.5	3	SPRING	SUS	1 NI PLATED
				ANGLE	±3'	2	HOUSING	POM	1 BLACK
						1	SLIDER	PA12	1 BLACK
				NO.	PARTS	MATERIAL	QTY.	FINISHING	



MODEL	DATE	DESCRIPTION	REV
	1-SUN-2019	初版	



A

2:1

TOLERANCE UNLESS SPECIFIED	MATERIAL : ABS	PART NAME : XB-PR-01N 公头	DWN.	2022.03.08	DRWG NO. :
	FINISHING : WHITE	PART NO. : XB-PR-01N-T	CHK'D		
WITHIN: 10±0.05mm OVER : 10±0.1mm	UNIT : MM	SCALE : 4 : 1	FOR MODEL :	APPD.	
东莞市溪榜电子有限公司 DONG GUAN XI BANG ELECTRONICS CO., LTD.			CAD FILE: Z:		