



标准&定制开关连接器产品制造商

DONG GUAN XI BANG ELECTRONICS CO., LTD.

规格书 SPECIFICATION

CUSTOMER NAME	客户名称:	_____
CUSTOMER NO.	客户编号:	_____
SERIES	系 列:	DC电源插座
MODEL NO.	型 号:	XB-5521CR205
DRAWING NO.	图 形 号:	DC plug

If specification of this product meets your request, please confirm all the items of it and return to us with signature and stamp, it will be basis of our production and record. Thanks your cooperation in advance!

若此产品规格符合贵司要求，敬请确认此规格书内所有项目
并签名和盖章后回传给我司，以作我司产品制作之
依据和存档之用，多谢合作！

EXAMINE & APPROVAL 审批

APPROVE 接受	NOT APPROVE 不接受
 SIGNATURE 签署 STAMP 盖章 DATE 日期	

PREPARED BY.制表人	CHECKED BY.校对	APPROVED BY.审核	APPROVAL BY. 批准												
<table border="1"><tr><td>研发部</td></tr><tr><td>戴海明</td></tr><tr><td>2022.06.08</td></tr></table>	研发部	戴海明	2022.06.08	<table border="1"><tr><td>品质部</td></tr><tr><td>黄自清</td></tr><tr><td>2022.06.08</td></tr></table>	品质部	黄自清	2022.06.08	<table border="1"><tr><td>工程部</td></tr><tr><td>庞军</td></tr><tr><td>2022.06.08</td></tr></table>	工程部	庞军	2022.06.08	<table border="1"><tr><td>总经办</td></tr><tr><td>吴量</td></tr><tr><td>2022.06.08</td></tr></table>	总经办	吴量	2022.06.08
研发部															
戴海明															
2022.06.08															
品质部															
黄自清															
2022.06.08															
工程部															
庞军															
2022.06.08															
总经办															
吴量															
2022.06.08															

东莞市溪榜电子有限公司

Dong guan Xi Bang Electronics Co., Ltd

地址: 广东省东莞市黄江镇合路工业区

Address: He Lu Industrial Zone, Huangjiang Town, Dongguan City, Guangdong Province

Tel: (0769)82055138/82056828

Fax: (0769)83663452

邮箱: admin@alspr.com switch@alspr.com

http://www.alspr.cn/ http://www.alspr.com/

Dong Guan XB Electronics Co., Ltd

Account Number: 705540238

Bank Name: Citibank N. A., Hong Kong Branch

Country/Region: Hong Kong

Bank Code: 006

Bank Address: 3 Garden Road, Central, Hong Kong

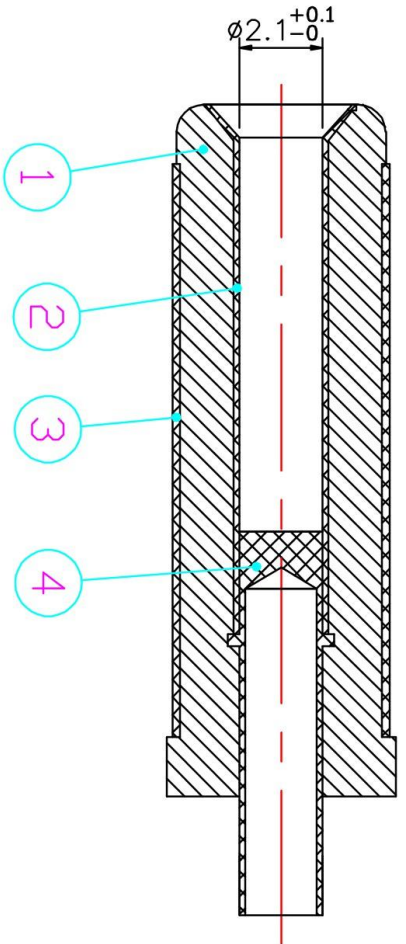
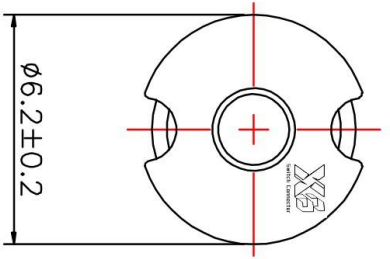
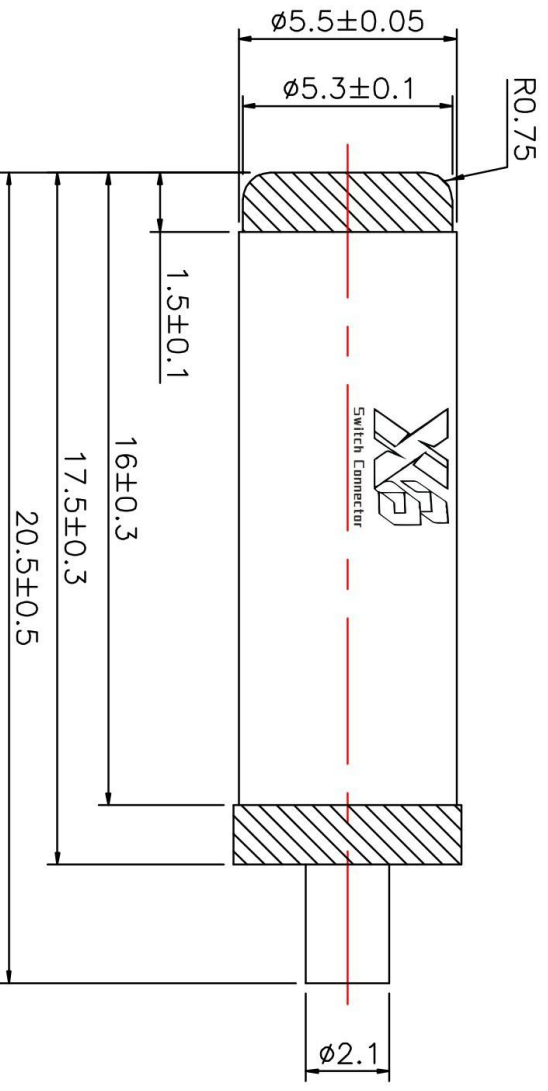
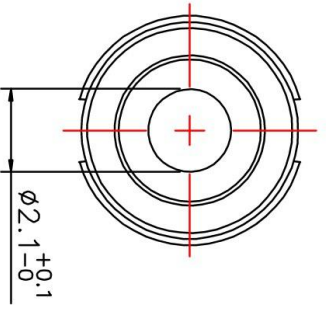
SWIFT/BIC: CITIHKHX (CITIHKHXXXX*If 11 characters are required)

MAiL: HK@ALPSR.CN XB@ALPSR.CN

Quality core! Afterburner for Made in China!

ROHS

版本 REV	修正标记 REV.LTR	修正前 BEFORE REVISION	修正后 AFTER REVISION	签名 SIGN	日期 DATE
V1.0		新版制定		June	20180917



Technology Request:
 1.Outlook:No burr, no hurt.
 2.Electronic performance:
 a:Insulation resistance: Above DC500V/100MΩ;
 b:Endure voltage:AC500V at 1 minute;
 c:Contact resistance:Under 30mΩ;
 3.Insertion force & withdrawal force:0.3-3kgf.
 4.Salt spray test:24H.
 5.Meet RoHS.
 6:Remark * is important specification.

单位 Unit	mm	一般公差 The general tolerance
比例 Scale	5:1	XX:±0.3
视图 Third angle projection	X:X:±0.1	XX:±0.05
NO.		
1	后心轴	C2680
2	2.1喇叭口	H65
3	PLASTIC	C2680
4	PART	ABS
5		PLATING

批准 APPROVED BY	校对 CHECKED BY	制图 DRAWN BY
June	杨义邦	李莹峰

东莞市溪榜电子有限公司
 DONG GUAN XI BANG ELECTRONI CS CO., LTD.
 Switch Connector

规格 DESCRIPTION:	DC PLUG $\phi 5.5 * \phi 2.1 * 20.5$
品名 P/N:	5521CR205
图号 DRAWN NO.:	CP-02-0015

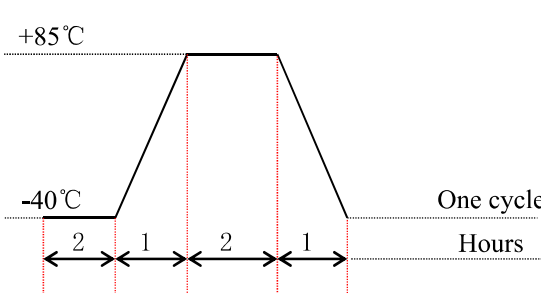
規 格 書

SPECIFICATION

- SERIES** 系列: DC plug
- MODEL NO.** 型號: XB-5521CR205
- 1. RATING** 額定值: 1A 3A 12V 30V DC
- 2. CIRCUIT** 回路:
- 3. TIMING** 切換類型:
- 4. STANDARD TEST TEMPERATURE SHALL BE 5°C TO 35°C AND HUMIDITY SHALL BE 63% TO 67% .**
溫度 5~35°C, 濕度 63~67% 標準狀態下測試。
- 5. OPERATING TEMPERATURE RANGE IS -40°C TO 105°C. IT IS USUALLY APPLIED TO ELECTRONIC AND ELECTRICAL APPLIANCE PRODUCTS.**
溫度 -40°C~105°C 環境內使用。一般適用於電子、電氣方面產品使用。
- 6. STORAGE TEMPERATURE RANGE : -40°C ~105°C.**
保存溫度範圍-40°C ~105°C.

ITEM 項目		TEST CONDITION 測試條件	PERFORMANCE 性能
7. ELECTRONICAL PERFORMANCE 電氣性能			
7.1	CONTACT RESISTANCE 接觸電阻	Being tested at 1kHz small current and voltage (100mA,20mV) by contact resistance meter. 在1kHz 小電流電壓 (100mA,20mV) 下測量。	50mΩ max. 50毫歐 以下。
7.2	INSULATION RESISTANCE 絕緣電阻	DC 100±10 V shall be applied for test between terminals and between terminals and frame for one minute. 在端子之間和端子與殼之間加 DC 100±10 V 條件下, 持續1分鐘測量。	1000 MΩ min. 1000兆歐 以上。
7.3	WITHSTAND VOLTAGE 耐電壓	AC 500 V and induction current 1mA shall be applied for test between terminals and between terminals and frame for one minute. 在端子之間和端子與殼之間加 AC 500 V (50Hz或60Hz) 感應電流1mA條件下, 持續1分鐘測量。	There shall be no breakdown. 無擊穿現象出現。
8. MECHANICAL PERFORMANCE 機械性能			
8.1	INSERTION AND EXTRACTION FORCE 插入及拔出 力度	Insert plug into the jack and extract for test. then measure the insertion and extraction force. 用插頭插入和拔出插座, 測量插入和拔出的作用力。	Insertion force: 3.0 Kgf Max 插入力度: 3.0 Kgf Max Extraction force: 0.3 Kgf Min 拔出力度: 0.3 Kgf Min

ITEM 項目		TEST CONDITION 測試條件	PERFORMAENCE 性能
8.2	TERMINAL STRENGTH 端子強度	A static force of 300 g being applied in one direction on the tip of the terminal for 1 minute. 一個 300 克之靜負荷施加於端子頂部的一個方向持續1分鐘。	There shall be no sign of mechanical and electrical damage. 無任何迹象顯示機械及電器性能之損壞。
9. DURABILITY 耐久性			
9.1	SOLDERING TEST 可焊性試驗	The tip of the terminals shall be dipped 2 mm in the solder bath within temperature of 245±5°C for 3~5 seconds. 端子頂部被浸入焊錫池 2mm 深,溫度245±5°C, 時間3~5秒。	Over 95% of the immersed surface was covered by tin. 浸入的部份95%以上表面將被錫覆蓋。
		The condition mentioned is temperature for lead-free soldering . 無鉛錫測試 Alloy:Sn 96.5% Cu 3% Ag 0.5% 成份: 錫 96.5% 銅 3% 銀 0.5%	
9.2	SOLDERING RESISTANT TEST 耐焊性試驗	Dip soldering temperature 280±5°C,soldering time 3±0.5 seconds,immersion depth up to the surface of the board, thickness of PCB 1.6 mm. 浸錫爐的溫度控制在 280±5°C, 焊接的時間 3±0.5秒,於(基板)厚度為 1.6 mm.	Without deformation of case or excessive looseness of teminals, meet mechanical and electrical properties 本體無變形,能滿足於機械、電器性能.
		Manual soldering temperature 300±5°C, soldering time 3±0.5 seconds,however excessive pressure shall not be applied to the terminal. 手焊接的時候溫度需控制在300±5°C, 時間為 3±0.5秒,但不能在端子上施加異常壓力。	
		The condition mentioned is temperature for lead-free soldering . 無鉛錫測試。 Alloy:Sn 96.5% Cu 3% Ag 0.5% 成份: 錫 96.5% 銅 3% 銀 0.5%	
9.3	LIFE TEST 壽命試驗	5000 cycles of operation at a rate of 15-18 cycles per minute with unloading 無負載條件下,每分鐘 8-10 次的速度操作 5000 次。	(1) Contact resistance 100mΩ max. 接觸電阻100毫歐 以下 (2) Insertion force: 插入力度: 0.2~3.0kgf Extraction force: 拔出力度: 0.2~3.0kgf (3) ITEM 項目—7.2 (4) ITEM 項目—7.3 (5) ITEM 項目—8.2

ITEM 項目		TEST CONDITION 測試條件	PERFORMAENCE 性能
9.4	HEAT RESISTANT TEST 耐熱試驗	80±2℃ for 96 hours, test after keeping in normal condition for 30 minutes. 在 80±2℃ 環境中放96小時,再放在正常環境中30分鐘後進行測試。	(1) Contact resistance 100 mΩ max. 接觸電阻100毫歐以下 (2) Insulation resistance 50 MΩ min. 絕緣電阻50兆歐以上 (3) There shall be no sign of mechanical and electrical damage. 無任何迹象顯示機械及電器性能之損壞。
9.5	MOISTURE RESISTANT TEST 耐濕試驗	40±2℃ 90-95%RH for 96 hours, test after keeping in normal condition for 30 minutes. 在40±2℃ 90-95%RH 環境中放96小時,再放在正常環境中, 30分鐘後進行測試。	
9.6	COLD RESISTANT TEST 耐冷試驗	At -20±3℃ for 96 hours, test after keeping in normal condition for 30minutes. 在 -20±3℃ 環境中放96小時, 再置於正常環境中, 30分鐘後進行測試。	
9.7	TEMPERATURE CYCLING TEST 溫度交變試驗	According to following figure, after 5 cycles, test after keeping in normal condition for 30 minutes. 如圖示之環境中, 循環5次後, 再置於正常環境中, 30分鐘後進行測試。 	
9.8	SALT MIST TEST 鹽霧試驗	Wash and dry after the testing 24h under the conditions indicated below. 在如下環境中試驗24小時後, 進行清洗乾燥後測試。 Temperature(溫度): 35℃±2℃ Water Salinity(鹽水濃度): 5±1% (by weight, 重量比)	There shall be no obvious rust on metal parts. 金屬部分沒有明顯生銹跡象。

<p>9.9</p>	<p>STORAGE ENVIROMENT 儲存環境</p>	<p>Under sealing pack condition,stored temperature don't exceed 30°C and relative humidity is 75% RH; in the enviroment of no sunshine direct and no corrosive gas,the stored time ought to be three months but within six month at most. 密封包裝狀態下，儲存溫度為≤30°C，相對溫度 75% RH; 無陽光直射，無腐蝕性氣體的環境中，儲存時間為3個月，最長不宜超過6個月。</p> <p>Without sealing pack condition,stored temperature don't exceed 30°C and relative humidity is 75% RH; in the enviroment of no sunshine direct and no corrosive gas,the stored time shouldn't exceed 48H 無密封包裝狀態下，儲存溫度為≤30°C，相對溫度 75% RH; 無陽光直射，無腐蝕性氣體的環境中，儲存時間最長不宜超過48小時。</p> <p>Don't excessive overlap or overstocking when keeping this goods,in case of damage. 保存時應注意物品不能過量重疊、積壓、以免損壞</p>	
------------	--	---	--