



标准&定制开关连接器产品制造商
DONG GUAN XI BANG ELECTRONICS CO., LTD.

规格书

SPECIFICATION

CUSTOMER NAME 客户名称: _____
 CUSTOMER NO. 客户编号: _____
 SERIES 系列: 倾斜震动开关
 MODEL NO. 型号: XB-SW-3030-45
 DRAWING NO. 图形号: Tilt switch

If specification of this product meets your request, please confirm all the items of it and return to us with signature and stamp, it will be basis of our production and record. Thanks your cooperation in advance!

若此产品规格符合贵司要求，敬请确认此规格书内所有项目
 并签名和盖章后回传给我司，以作我司产品制作之
 依据和存档之用，多谢合作！

EXAMINE & APPROVAL 审批

APPROVE 接受	NOT APPROVE 不接受
SIGNATURE 签署 STAMP 盖章 DATE 日期	

PREPARED BY. 制表人	CHECKED BY. 校对	APPROVED BY. 审核	APPROVAL BY. 批准
<div style="border: 1px solid red; padding: 2px;">研发部</div> <div style="border: 1px solid red; padding: 2px;">戴海明</div> <div style="border: 1px solid red; padding: 2px;">2022. 06. 08</div>	<div style="border: 1px solid red; padding: 2px;">品质部</div> <div style="border: 1px solid red; padding: 2px;">黄自清</div> <div style="border: 1px solid red; padding: 2px;">2022. 06. 08</div>	<div style="border: 1px solid red; padding: 2px;">工程部</div> <div style="border: 1px solid red; padding: 2px;">庞军</div> <div style="border: 1px solid red; padding: 2px;">2022. 06. 08</div>	<div style="border: 1px solid red; padding: 2px;">总经办</div> <div style="border: 1px solid red; padding: 2px;">吴量</div> <div style="border: 1px solid red; padding: 2px;">2022. 06. 08</div>

东莞市溪榜电子有限公司

Dong guan Xi Bang Electronics Co., Ltd
 地址: 广东省东莞市黄江镇合路工业区
 Address: He Lu Industrial Zone, Huangjiang Town
 , Dongguan City, Guangdong Province
 Tel: (0769)82055138/82056828
 Fax: (0769)83663452

邮箱: admin@alspr.com switch@alspr.com
<http://www.alspr.cn/> <http://www.alspr.com/>

Dong Guan XB Electronics Co., Ltd

Account Number: 705540238
 Bank Name: Citibank N. A., Hong Kong Branch
 Country/Region: Hong Kong
 Bank Code: 006
 Bank Address: 3 Garden Road, Central, Hong Kong
 SWIFT/BIC: CITIHKHX (CITIHKHXXXX*If 11 characters are required)

MAil: HK@ALPSR.CN XB@ALPSR.CN
 Quality core! Afterburner for Made in China!

产品规格书 Product Details specification

Product Name	File No.	Version	Date	Page
XB-SW-3030-45光电开关	XB-SW-3D-029	B1	2023.02.09	2/4

■ 功能Function

1. 水平倾斜检测

Horizontal tilt anti-fall detecting.

2. 垂直翻转检测

Vertical flip anti-fall detecting.

■ 应用产品Applications

1. 智能家用电器 Smart home appliances

2. 倾倒安全防护电器 Tilting safety protection circuit

3. 智能电子设备 Intelligent electronic equipment



■ 产品特性Features

1. 此产品可检测360度全周倾倒。

This products can omni 360 degree tilt detecting.

2. 产品直立时输出高电平;当产品向任一方向倾斜超 45 ± 10 度, 输出低电平。

(导通测试参考旋转角速度大于 20 度/秒, 过慢的角速度可能不触发或触发角增大。)

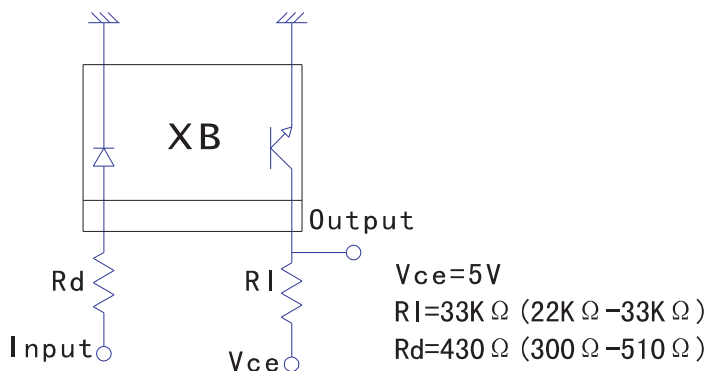
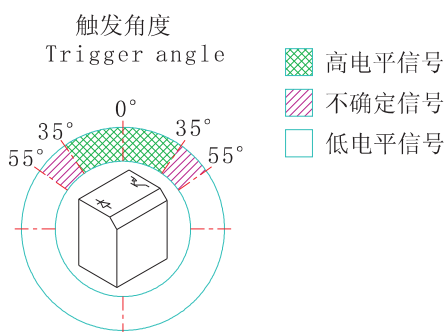
When the products is **upright**, the output is high level.

When the products tilt to any direction and more than 45 ± 10 degree, output is the low level.

(The reference rotation angular velocity of conduction test is greater than 20 degrees / s, and the too slow angular velocity may not trigger or the trigger angle may increase.)

3. 此开关的输出量可触发MCU、I/O等控制电路。

This switch output can trigger MCU, I/O control circuit.





产品规格书 Product Details specification

Product Name	File No.	Version	Date	Page
XB-SW-3030-45光电开关	XB-SW-3D-029	B1	2023.02.09	3/4

■ 电器特性 Electrical characteristics:

1	电压	Voltage:	4.5-5V
2	电流	Current:	6-10mA
3	导通时间	Conductive time:	连续导通
4	对射管特性	LED characteristics	见附件

■ 可靠测试项目 Reliable test project:

1	操作温度	Operating Temperature	-25°C to 85°C
2	储存温度	Storage Temperature	-10°C to 40°C
3	端子拉力	Pull force of terminal	500gf for 1 minute
4	盐雾测试	Salt mist test	95% RH, 40°C for 24 hours
5	操作寿命	Operating lifespan	1,000,000 times, 2Hz
6	电器寿命	Electrical lifespan	30,000 hours If=10mA, Vce=5V

■ 材料列表 Bill of material:

1	胶壳	Housing	Nylon+ Glass fiber
2	胶芯	Plastic	Nylon+ Glass fiber
3	仓体	Storehouse	Brass ,Nickel-plated
4	仓盖	Cover	Brass ,Nickel-plated
5	滚珠	Ball	Brass ,Nickel-plated
6	发射管	Emissions	
7	接收管	Reliever	

■ 焊接特性 Welding characteristics

1. 手工焊: 330°C ± 10°C, < 3秒.

Manual welding: 330°C ± 10°C, < 3s.

2. 波峰焊接 (DIP): 250°C ± 10°C, < 5秒.

Wave peak soldering (DIP): 250°C ± 10°C, < 5s.

3. 焊锡: 无铅. Solder tin: lead free.

4. 不可使用强酸、碱性助焊剂.

Do not use strong acid alkali flux.

■ 包装 Packaging

1、200PCS/袋 (PVC塑料袋, 按一般电子料存放要求存放)
200PCS/bag (PVC plastic)

2、42PCS/Tube

地址: 广东省东莞市黄江合路工业区

Add: Huangjianghe Road Industrial Zone, Dongguan City, Guangdong Province

TEL: 0769-82055138 82056828

Fax: 0769-83663452

http://www.alpsr.cn www.alpsr.com

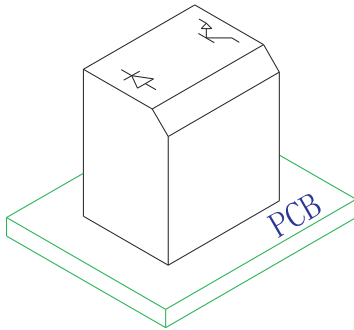
E-mail: XB@ALPSR.CN

产品规格书 Product Details specification

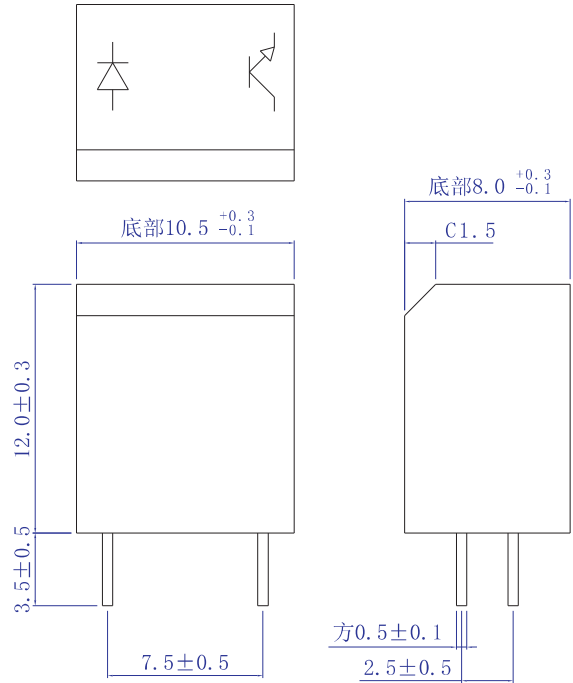
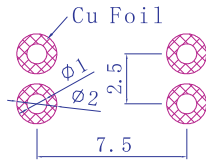
Product Name	File No.	Version	Date	Page
XB-SW-3030-45光电开关	XB-SW-3D-029	B1	2023.02.09	4/4

SIZE

Unit: mm,
Tolerance ± 0.25



水平板安装



注意事项 Note

1.If the product used for high security products and durability of extremely high equipment (such as life safety equipment, aviation facilities, disaster prevention device),

please confirm whether a share, can seek advice our company for details.

如果该产品要用于高安全性产品及耐久性极高的设备中（如生命安全设备、航空设施、防灾装置），请确认是否合用，或咨询我司了解详情。

2.In case of fire, Please do not overload applicable.

请勿超负荷使用，以防发生火灾。

3.The welding temperature or time more than standard, can cause switch collapse.

焊接温度或时间超过规范时，会造成开关解体。

4.Do not use water solubility flux. May cause damage to the switch.

勿使用水溶性助焊剂、可能会造成开关损坏。

5.Do not use solvent wash switch.

勿使用溶剂清洗开关。

6.Xibang company is only responsible for the defective problems of the product itself, return and exchange the defective products, and does not bear other joint and several expenses.

溪榜公司只承担本产品本身不良问题,对不良品进行退换货,不承担其它连带费用责任。