



标准&定制开关连接器产品制造商
DONG GUAN XI BANG ELECTRONICS CO., LTD.

规格书

SPECIFICATION

CUSTOMER NAME 客户名称: _____
 CUSTOMER NO. 客户编号: _____
 SERIES 系列: 倾斜震动开关
 MODEL NO. 型号: XB-SW-108L-45
 DRAWING NO. 图形号: Tilt switch

If specification of this product meets your request, please confirm all the items of it and return to us with signature and stamp, it will be basis of our production and record. Thanks your cooperation in advance!

若此产品规格符合贵司要求, 敬请确认此规格书内所有项目
 并签名和盖章后回传给我司, 以作我司产品制作之
 依据和存档之用, 多谢合作!

EXAMINE & APPROVAL 审批

APPROVE 接受	NOT APPROVE 不接受
SIGNATURE 签署 STAMP 盖章 DATE 日期	

PREPARED BY. 制表人	CHECKED BY. 校对	APPROVED BY. 审核	APPROVAL BY. 批准
<div style="border: 1px solid red; padding: 2px;">研发部</div> <div style="border: 1px solid red; padding: 2px;">戴海明</div> <div style="border: 1px solid red; padding: 2px;">2022. 06. 08</div>	<div style="border: 1px solid red; padding: 2px;">品质部</div> <div style="border: 1px solid red; padding: 2px;">黄自清</div> <div style="border: 1px solid red; padding: 2px;">2022. 06. 08</div>	<div style="border: 1px solid red; padding: 2px;">工程部</div> <div style="border: 1px solid red; padding: 2px;">庞军</div> <div style="border: 1px solid red; padding: 2px;">2022. 06. 08</div>	<div style="border: 1px solid red; padding: 2px;">总经理办</div> <div style="border: 1px solid red; padding: 2px;">吴量</div> <div style="border: 1px solid red; padding: 2px;">2022. 06. 08</div>

东莞市溪榜电子有限公司

Dong guan Xi Bang Electronics Co., Ltd
 地址: 广东省东莞市黄江镇合路工业区
 Address: He Lu Industrial Zone, Huangjiang Town
 , Dongguan City, Guangdong Province
 Tel: (0769)82055138/82056828
 Fax: (0769)83663452

邮箱: admin@alspr.com switch@alspr.com
<http://www.alspr.cn/> <http://www.alspr.com/>

Dong Guan XB Electronics Co., Ltd

Account Number: 705540238
 Bank Name: Citibank N. A., Hong Kong Branch
 Country/Region: Hong Kong
 Bank Code: 006
 Bank Address: 3 Garden Road, Central, Hong Kong
 SWIFT/BIC: CITIHKHX (CITIHKHXXXX*If 11 characters are required)

MAil: HK@ALPSR.CN XB@ALPSR.CN
 Quality core! Afterburner for Made in China!

产品规格书 Product Details specification

产品名称 Title	File No.	Version	Date	Page
XB-SW-108L-45滚珠开关	XB-SW-3D-072	2023-A3	2023.2.25	2/4

■ 功能Function

1.水平倾斜检测

Horizontal tilt anti-fall detecting.

2.垂直翻转检测

Vertical flip anti-fall detecting.

■ 应用产品Applications

1.智能家用电器 Smart home appliances

2.倾倒安全防护电器 Tilting safety protection circuit

3.智能电子设备 Intelligent electronic equipment



■ 产品特性Features

1. 本产品是滚珠型倾斜感应开关。

This product is Ball type tilt vibration sensitive switch.

2. 当产品直立时处于断开OFF状态，当产品向任一方向倾斜且超过 45 ± 10 度时，开关会处于通路ON状态。

When the product upright is in OFF-state, as the products tilt to any direction and exceed 45 ± 10 degrees, switch stay in a disconnect ON-state.

3. 本规格产品是完全密封式封装，可防水、防尘。

Product completely airtight, waterproof, dustproof.

4. 开关材质ROHS环保，完全替代水银开关。

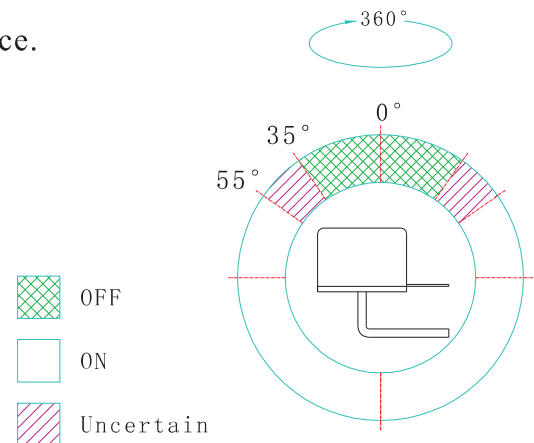
Material compliant with ROSH directive, replace the mercury switch.

5. 开关信号简单、电路线路设计简单、价格经济。

Simple for switch signals and circuit , and economic price.



触发波形图



功能角度

地址：广东省东莞市黄江合路工业区

Add: Huangjianghe Road Industrial Zone, Dongguan City, Guangdong Province

TEL: 0769-82055138 82056828

Fax: 0769-83663452

<http://www.alpsr.cn> www.alpsr.com

E-mail:XB@ALPSR.CN

产品规格书 Product Details specification

产品名称 Title	File No.	Version	Date	Page
XB-SW-108L-45滚珠开关	XB-SW-3D-072	2023-A3	2023.2.25	3/4

■ 电器特性 Electrical characteristics:

1	电压	Voltage	1-6V
2	电流	Current	2uA-10mA
3	导通方式	Conduction mode	Discontinuous conduction mode 非连续导通
4	闭路电阻	Closed resistance	<30 Ω
5	绝缘电阻	Insulation resistance	>10 MΩ

■ 机械特性 Mechanical characteristics

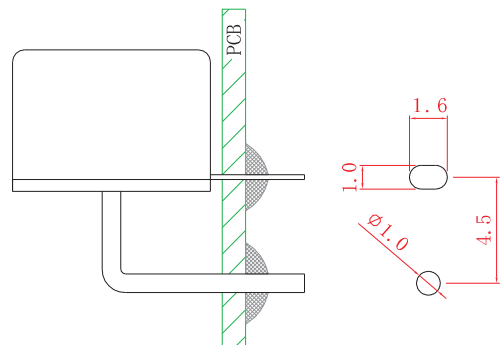
1	耐温	Temperature range	Operating: -40°C to 85°C
2	端子拉力	Pull force of terminal	500gf for 1 minute
3	盐雾测试	Salt mist test	95% RH, 40°C for 24 hours
4	操作寿命	Operating lifespan	200,000 cycles

■ 材料列表 Bill of material

1	铜帽	Copper cap	Brass ,silver-plated
2	绝缘环	Plastic	Temperature resistance nylon
3	滚珠	Ball	Brass / steel, silver-plated
4	导杯	Guide cup	Brass ,silver-plated

■ 焊接特性 Welding characteristics

- 手工焊: 320°C±10°C, 2-3秒.
Manual welding : 320°C ± 10°C, 2-3s.
- 波峰焊接: 260°C±10°C, <5秒.
Wave soldering : 260°C ± 10°C, <5s.
- 焊锡: 含锡量100%.
Solder tin: tin content 100%.
- 不可使用强酸、碱性助焊剂.
Do not use strong acid alkali flux.



PCB焊锡插脚孔位

■ 包装 Packaging

500PCS/袋 (PVC塑料袋, 按一般电子料存放要求存放)

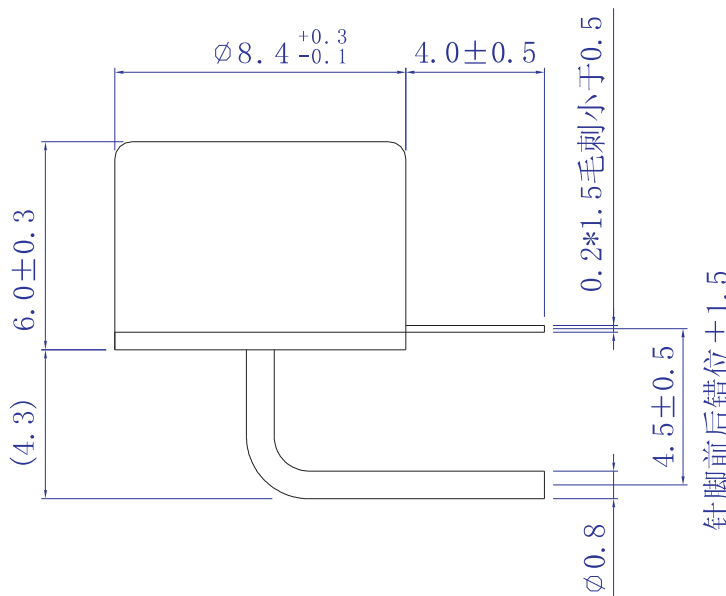
产品规格书 Product Details specification

产品名称 Title	File No.	Version	Date	Page
XB-SW-108L-45滚珠开关	XB-SW-3D-072	2023-A3	2023.2.25	4/4

SIZE尺寸

Unit=mm

Tolerance: ± 0.25



注意事项Note

1. 如果该产品要用于高安全性产品及耐久性极高的设备中（如生命安全设备、航空设施、防灾装置），请确认是否合用，或咨询我司了解详情。

If the product used for high security products and durability of extremely high equipment (such as life safety equipment, aviation facilities, disaster prevention device), please confirm whether a share, can seek advice our company for details.

2. 请勿超负荷使用，以防发生火灾。

In case of fire, Please do not overload applicable.

3. 焊接温度或时间超过规范时，会造成开关解体。

The welding temperature or time more than standard, can cause switch collapse.

4. 勿使用水溶性助焊剂、可能会造成开关损坏。

Do not use water solubility flux. May cause damage to the switch.

5. 勿使用溶剂清洗开关。

Do not use solvent wash switch.

6. 本开关导通率为98%以上（导通率是指开关每100次动作中，可以良好导通的比率）。

This switch conduction rate of 98% (conductivity rate per 100 times value switch actions, can good conduction ratio).

7. 溪榜公司只承担本产品本身不良问题,对不良品进行退换货,不承担其它连带费用责任。

Xibangcompany is only responsible for the defective problems of the product itself, return and exchange the defective products, and does not bear other joint and several expenses.

地址：广东省东莞市黄江合路工业区

Add: Huangjianghe Road Industrial Zone, Dongguan City, Guangdong Province

TEL: 0769-82055138 82056828

Fax: 0769-83663452

http://www.alpsr.cn www.alpsr.com

E-mail:XB@ALPSR.CN